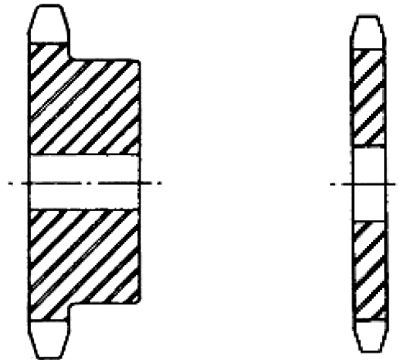


ISO 9001:2000	STYLE	TEETH	DIA.	BORE		HUB		WT.	ISO 9001:2000	STYLE	BORE	WT.						
Part Number	Bore	Quantity	Outside	Std.	Max.	Dia.	LTB	lbs	Part Number	Bore	Std. inch	lbs						
inch																		
80B8	B	8	3.010	1	1	1 15/16	1 5/8	1.40	—	—	—	—						
80B9		9	3.350		1 5/16	2 1/4		1.60	80A9	A	15/16	0.80						
80B10		10	3.680		1 1/2	2 9/16		2.20	80A10			1.00						
80B11		11	4.010		1 5/8	2 13/16		3.20	80A11			1.30						
80B12		12	4.330		1 7/8	3 1/8		3.40	80A12			1.50						
80B13	B	13	4.660	1	2	3	1 1/2	3.50	80A13			A	15/16	1.80				
80B14		14	4.980		2 1/4	3 1/4		4.10	80A14	2.20								
80B15		15	5.300		2 1/2	3 13/16		5.30	80A15	2.50								
80B16		16	5.630		2 3/4	4		5.90	80A16	2.90								
80B17		17	5.950					6.60	80A17	3.30								
80B18	B	18	6.270	1	2 3/4	4 1/4	1 1/2	7.30	80A18	A	15/16	3.70						
80B19		19	6.590					7.80	80A19			4.10						
80B20		20	6.910					8.40	80A20			4.70						
80B21		21	7.240					1 3/4	9.40			80A21	4.90					
80B22		22	7.560						10.00			80A22	5.50					
80B23	B	23	7.880	1	2 3/4	4 1/4	1 3/4	10.70	80A23	A	15/16	6.30						
80B24		24	8.200					11.30	80A24			6.70						
80B25		25	8.520					11.90	80A25			7.20						
80B26		26	8.840					1 1/4	3 1/4			4 3/4	2	14.30	80A26	A	1 3/16	7.80
80B27		27	9.160											15.40	80A27			8.60
80B28	B	28	9.480	1 1/4	3 1/4	4 3/4	2	16.00	80A28	A	1 3/16	9.30						
80B29		29	9.800	1 3/16				17.10	80A29			9.80						

PLEASE ASK YOUR SALES REPRESENTATIVE REGARDING FIT'S FREE FREIGHT POLICY

CORPORATE - WEST COAST SALES
 47655 Warm Springs Blvd
 Fremont, CA 94539
 Toll Free: (800) 808-0348
 Phone: (510) 623-1688

MIDWEST SALES - DISTRIBUTION
 2800 Galvin Drive
 Elgin, IL 60124
 Toll Free: (877) 808-0348
 Phone: (847) 836-8200

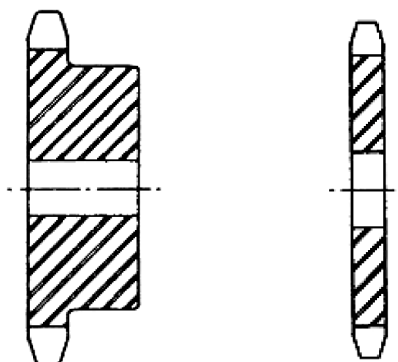


ISO 9001:2000	STYLE	TEETH	DIA.	BORE		HUB		WT.	ISO 9001:2000	STYLE	BORE	WT.
Part Number	Bore	Quantity	Outside	Std.	Max.	Dia.	LTB	lbs	Part Number	Bore	Std.	lbs
			inch								inch	lbs
80B30		30	10.110					17.40	80A30			10.70
80B31		31	10.430					18.70	80A31			11.30
80B32	B	32	10.750	1 3/16	3 1/4	4 3/4	2	19.50	80A32	A	1 3/16	12.10
80B33		33	11.070					19.60	80A33			13.60
80B34		34	11.390					21.30	80A34			14.30
80B35		35	11.710					22.10	80A35			14.80
80B36		36	12.030					23.10	80A36			16.10
80B37	B	37	12.350	1 3/16	3 1/4	4 3/4	2	23.80	80A37	A	1 3/16	16.80
80B38		38	12.670					24.70	80A38			17.20
80B39		39	12.990					25.60	80A39			17.90
80B40		40	13.310	1 3/16				26.70	80A40		1 3/16	18.90
80B41		41	13.630					27.80	80A41			21.00
80B42	B	42	13.940		3 1/4	4 3/4	2	28.70	80A42	A		21.80
80B43		43	14.260	1 1/4				29.40	80A43		1 1/4	23.60
80B44		44	14.580					29.90	80A44			24.30
80B45		45	14.900					31.40	80A45			25.20
80B46		46	15.220					33.10	80A46			26.60
80B47	B	47	15.540	1 1/4	3 1/4	4 3/4	2	34.00	80A47	A	1 1/4	26.40
80B48		48	15.860					35.50	80A48			27.80
80B49		49	16.180					35.80	80A49			28.90

FIT STRIVES FOR 100% IN ON-TIME DELIVERIES

CORPORATE - WEST COAST SALES
 47655 Warm Springs Blvd
 Fremont, CA 94539
 Toll Free: (800) 808-0348
 Phone: (510) 623-1688

MIDWEST SALES - DISTRIBUTION
 2800 Galvin Drive
 Elgin, IL 60124
 Toll Free: (877) 808-0348
 Phone: (847) 836-8200



ISO 9001:2000	STYLE	TEETH	DIA.	BORE		HUB		WT.	ISO 9001:2000	STYLE	BORE	WT.
Part Number	Bore	Quantity	Outside	Std.	Max.	Dia.	LTB	lbs	Part Number	Bore	Std.	lbs
			inch									
80B50	B	50	16.500	1 1/4	3 1/4	4 3/4	2	37.30	80A50	A	1 1/4	30.90
80B51		51	16.810					38.60	80A51			32.20
80B52		52	17.130					39.40	80A52			33.00
80B53		53	17.450					41.30	80A53			34.90
80B54		54	17.770					44.70	80A54			36.60
80B55	B	55	18.090	1 1/4	3 1/2	5 1/4	2	45.60	80A55	A	1 1/4	37.50
80B56		56	18.410					47.50	80A56			39.40
80B57		57	18.730					48.50	80A57			40.40
80B58		58	19.040					50.50	80A58			41.30
80B59		59	19.360					52.10	80A59			42.90
80B60	B	60	19.680	1 1/4	3 1/2	5 1/4	2	54.50	80A60	A	1 1/4	45.30
80B65		65	21.270					61.80	80A65			52.20
80C70	C	70	22.870	1 1/2	4 1/4	6 1/4	3 1/2	75.70	80A70	A	1 1/2	59.80
80C72		72	23.500					81.40	80A72			66.70
80C76		76	24.780					87.80	80A76			70.20
80C80	C	80	26.050	1 1/2	4 1/4	6 1/4	3 1/2	89.90	80A80	A	1 1/2	79.60
80C84		84	27.330					99.20	80A84			86.10
80C90		90	29.240					106.00	80A90			101.00
80C96		96	31.150					117.00	80A96			120.00
80C112		112	36.240					154.00	80A112			165.00

PLEASE ASK YOUR SALES REPRESENTATIVE REGARDING FIT'S SOURCING CAPABILITIES

CORPORATE - WEST COAST SALES
 47655 Warm Springs Blvd
 Fremont, CA 94539
 Toll Free: (800) 808-0348
 Phone: (510) 623-1688

MIDWEST SALES - DISTRIBUTION
 2800 Galvin Drive
 Elgin, IL 60124
 Toll Free: (877) 808-0348
 Phone: (847) 836-8200